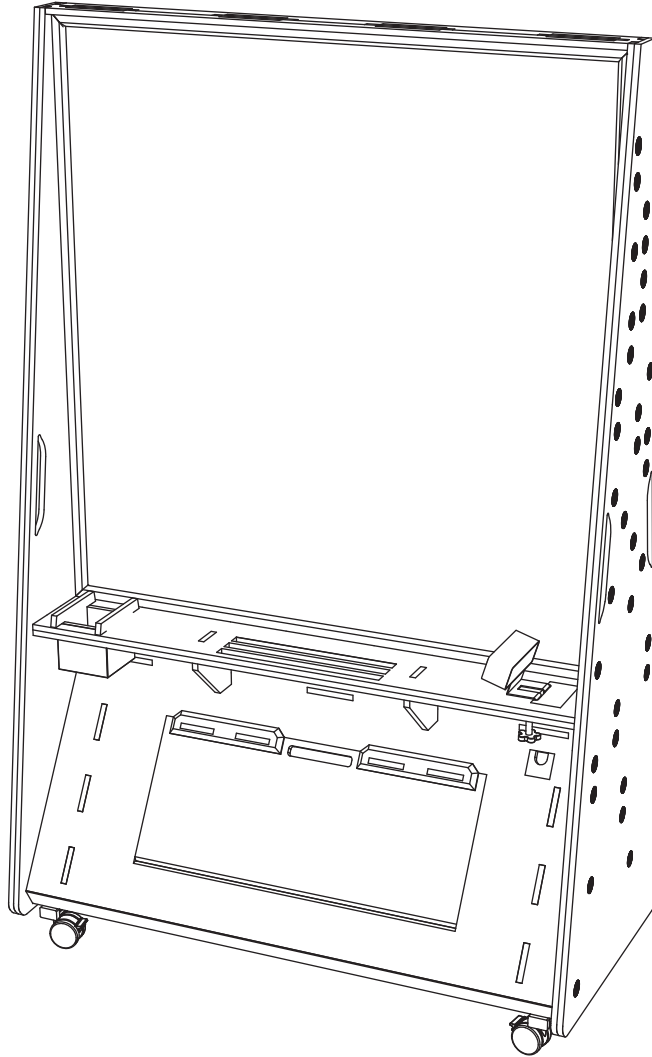


INSTALLATION INSTRUCTIONS

PYRAMID



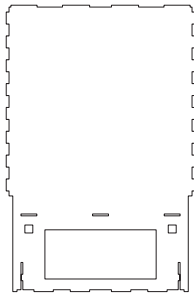
PARTS & HARDWARE

SEE DETAILS ON THE NEXT PAGE

RECOMMENDED TOOLS
Screw Driver - Wrench

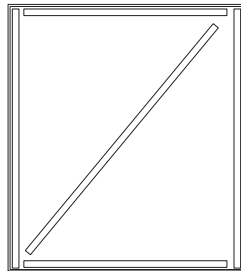
INSTALLATION INSTRUCTIONS

PYRAMID



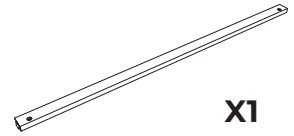
A1 - MAIN PANEL

X1



W1 - WHITE BOARD WITH BACKER

X1



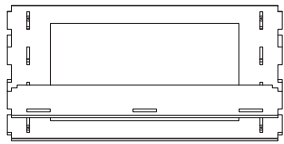
X1
H2.1 - CASTER FRAME



X2
H2.2 - CASTER FRAME

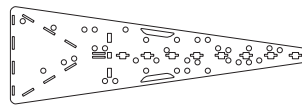


X4
A9 - DOOR HANDLE PART A



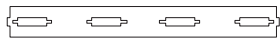
A2 - TRIPOD BOTTOM PANEL

X1



B1 - SIDE PANEL A

X2

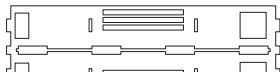


B3 - TOP PANEL

X1

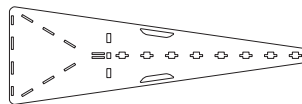


X4
A10 - SHELF BRACKET



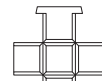
A3 - SHELF UPPER HALF

X1

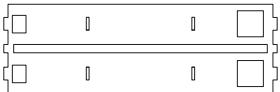


B2 - SIDE PANEL B

X2



X2
A11 - PEN HOLDER



A4 - SHELF LOWER HALF

X1



X4
H3 - CASTER



A5 - TRIM SET (4PCS)

X2

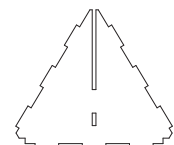


H1 - BOLT SET

X4



X2
H4 - POWER MODULE



A6 - TRIPOD SUPPORT

X2



X2
A7 - CABLE COVER



X3
A12 - JOINING PLUG



X2
A8 - ACCESSORY CAP



X8
A13 - DOOR HANDLE PART B



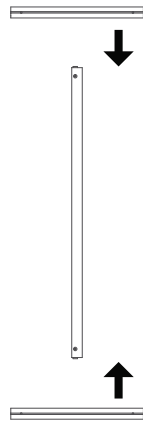
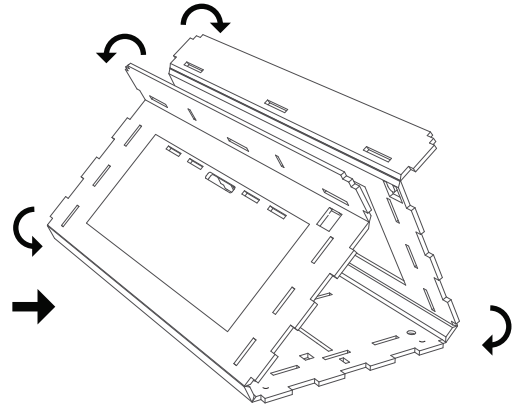
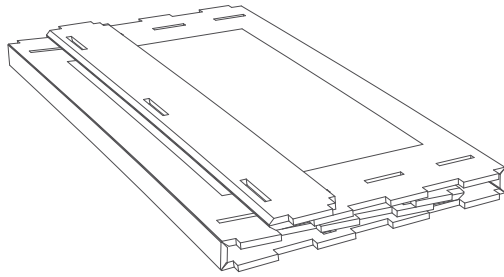
X4
A14 - BASE FRONT COVER

*Images reflect typical hardware options. Please refer to packing list for items & quantities specific to your order

INSTALLATION INSTRUCTIONS

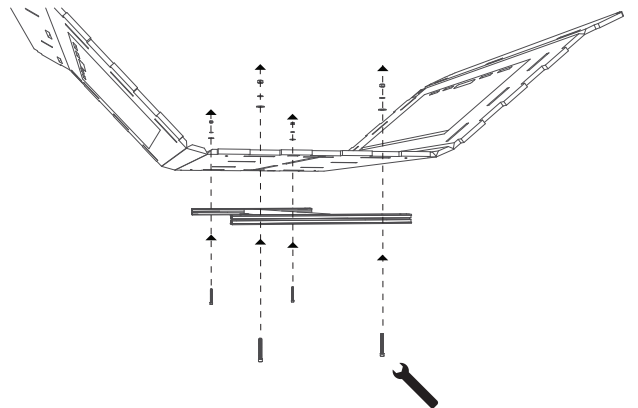
PYRAMID

- 1** Unfold the TRIPOD BOTTOM PANEL (A2).



- 2** Assemble the CASTER FRAME (H2.1 & H2.2) .
(star screw driver).

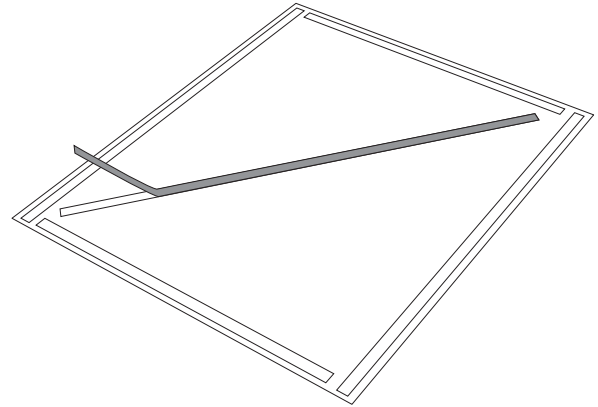
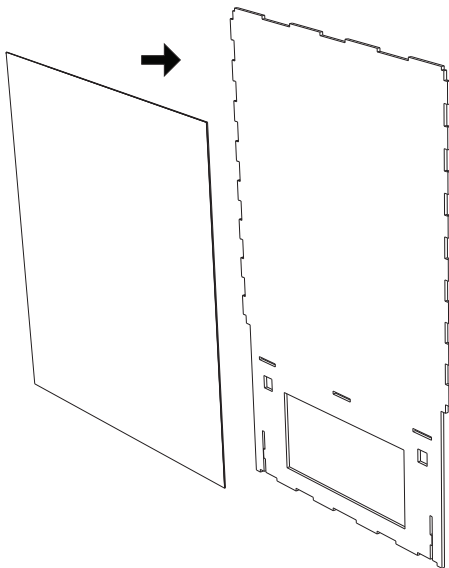
- 3** Fasten the CASTER FRAME (H2) to the TRIPOD
BOTTOM PANEL(A2) with BOLT SETS (H1).
(wrench not provided).



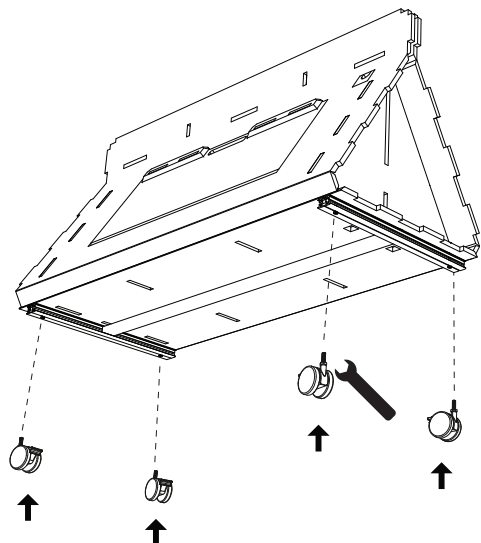
INSTALLATION INSTRUCTIONS

PYRAMID

- 4** Peel the cover off the tape on the WHITE BOARD WITH BACKER (W1).



- 5** Carefully apply the WHITE BOARD WITH BACKER(W1) to the center of the MAIN PANEL (A1).

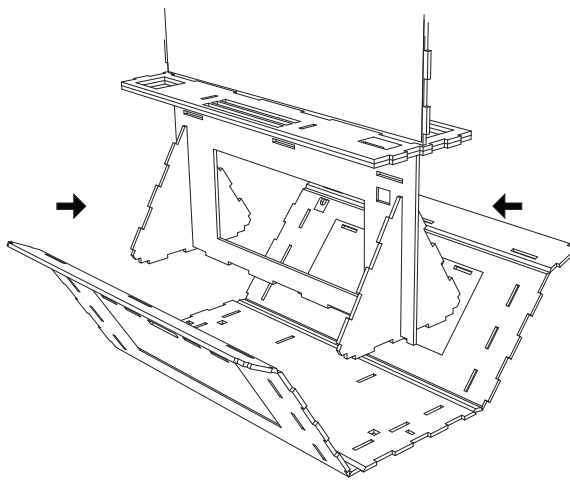
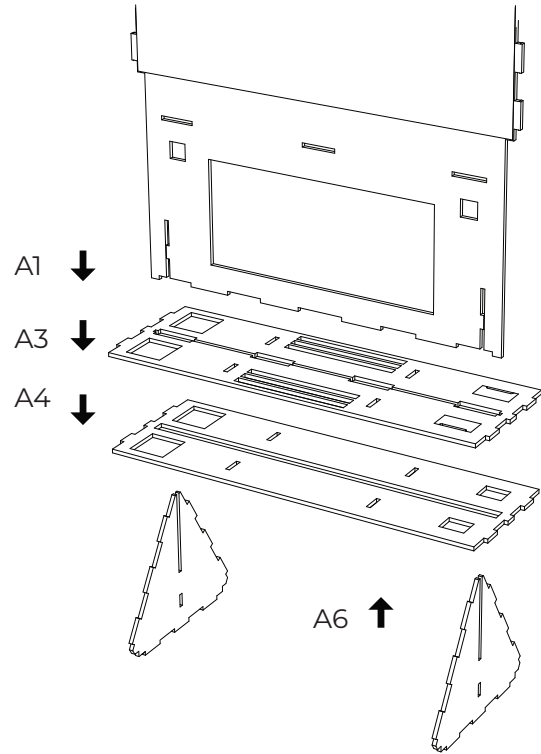


- 6** Use a wrench to install the CASTERS (H3) to the CASTER FRAME (H2). (wrench not provided)

INSTALLATION INSTRUCTIONS

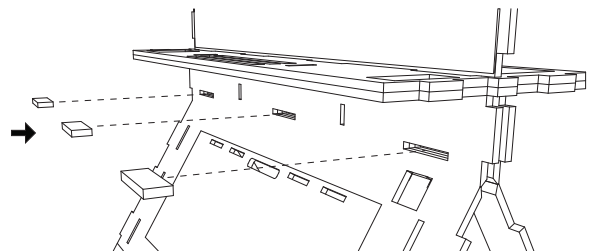
PYRAMID

- 7** Slide the MAIN PANEL (A1) into the slots in the center of the SHELF UPPER HALF (A3) and the SHELF LOWER HALF (A4), then connect to the TRIPOD SUPPORT (A6).



- 8** USE the TRIPOD BOTTOM PANEL (A2) wrapping around the main structure of the PYRAMID screen.

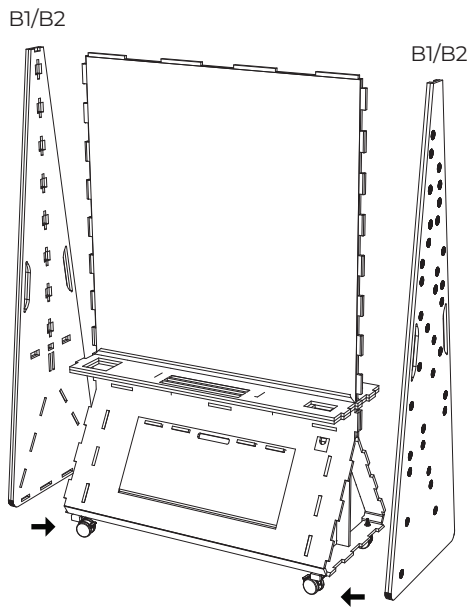
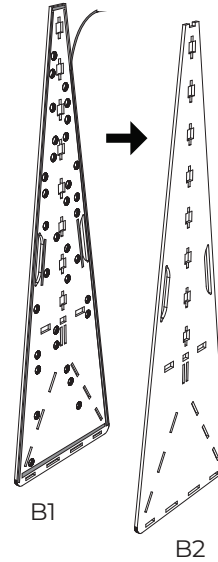
- 9** Insert the JOINING PLUGS (A12) into the aligned slots of the BASE SUBASSEMBLY.



INSTALLATION INSTRUCTIONS

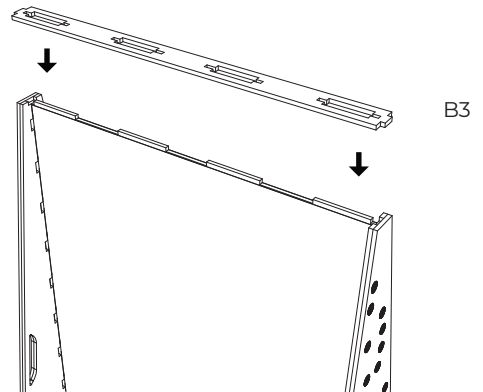
PYRAMID

- 10** Peel off the Ezotape cover on the SIDE PANEL A(B1) and tape it to SIDE PANEL B(B2).



- 11** Insert the tabs on the main structure into the corresponding holes on the SIDE PANELS A(B1) and SIDE PANELS B(B2).

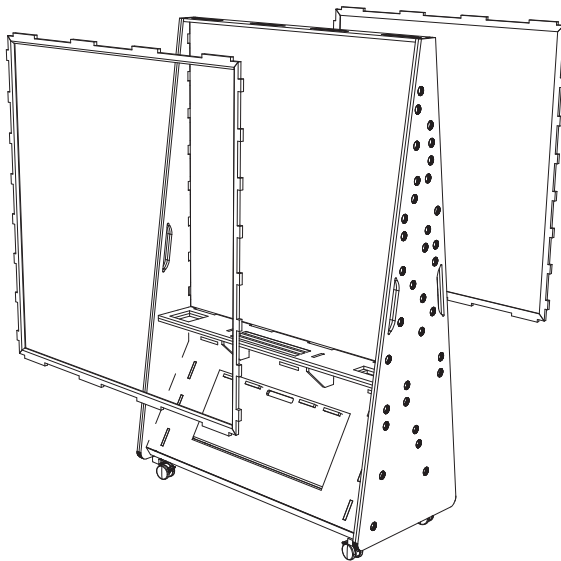
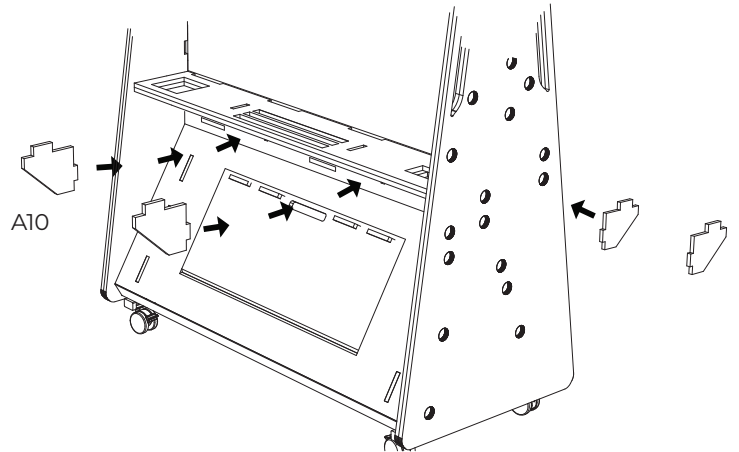
- 12** Press the TOP PANEL (B3) onto the tabs of the MAIN PANEL (A1) on the top. The end tabsin of the TOP PANEL (B3) in the notch of the SIDE PANEL B(B2),.



INSTALLATION INSTRUCTIONS

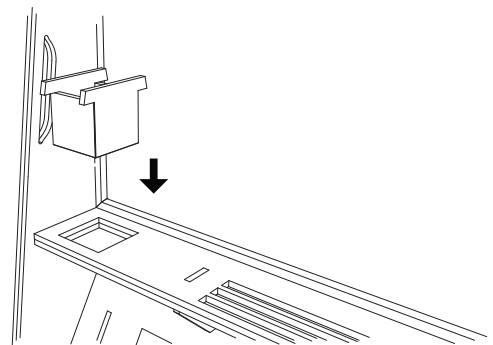
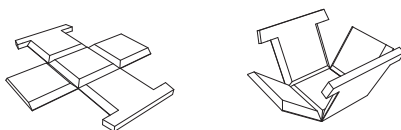
PYRAMID

- 13** Insert the SHELF BRACKETS(A10) into the slots beneath the SHELF on either side of the mobile screen.



- 14** Cover the edge of the WHITE BOARD (W1) with the TRIM SET (A5), insert the tabs of the TRIMS into the slots around the the WHITE BOARD (W1) on the SIDE PANELS.

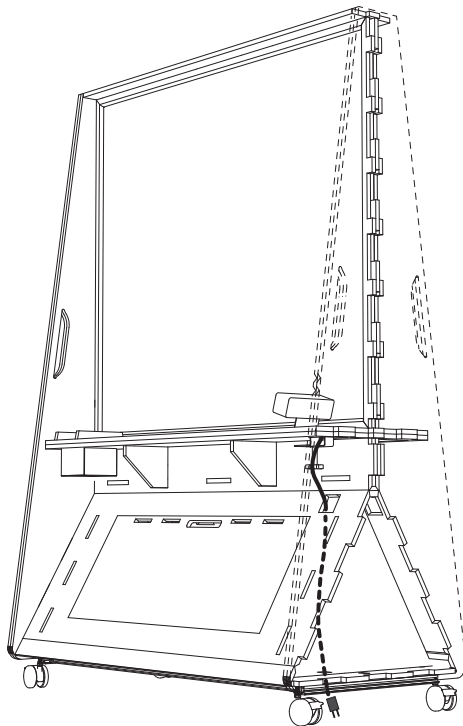
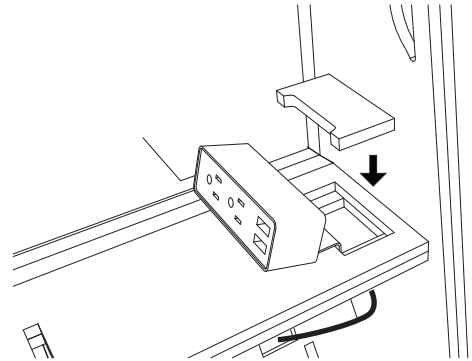
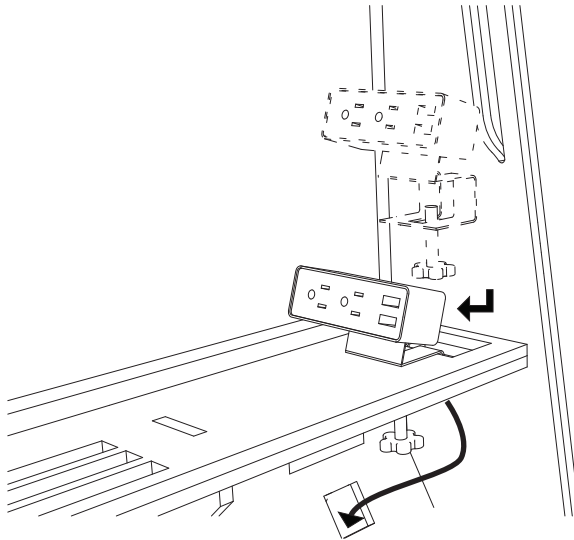
- 15** Fold up the 4 sides of the PEN HOLDER (A11) and insert it into the square cavity of the shelf.



INSTALLATION INSTRUCTIONS

PYRAMID

- 16** Install the POWER MODULE (H4) into the rectangular hole in the SHELF, and use the ACCESSORY CAP (A8) to fill the remaining hole.

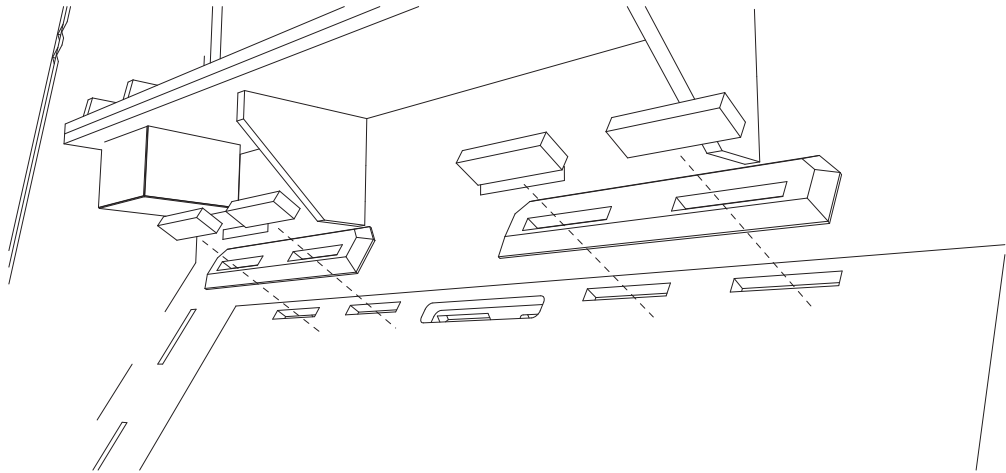


- 17** Run the cable of the POWER MODULE (H4) through the hole on the front of the BASE and behind the side panels.

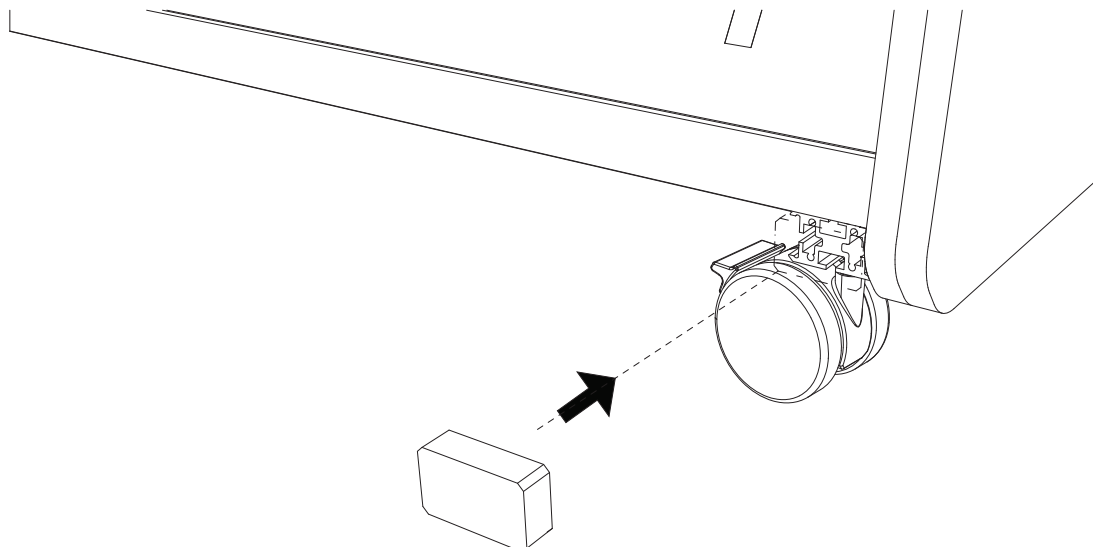
INSTALLATION INSTRUCTIONS

PYRAMID

- 18** Insert the DOOR HANDLE PART B (A13) through the aligned slots in the DOOR HANDLE PART A (A9) and door flap on the TRIPOD BOTTOM PANEL (A2).



- 19** Cover the base front with BASE FRONT COVER (A14).



UNITED STATES

Ayrsonics Mid West LLC

170 Prairie Lake Rd
East Dundee, IL 60118
P: 1-800-517-0686
sales@mw.ayrsonics.com

Ayrsonics Southwest LLC

8934 Eton Ave
Canoga Park, CA 91304
213-833-9700
sales@sw.ayrsonics.com

Ayrsonics New England LLC

32 Hampshire Rd
Salem, NH 03079
P: 603-824-9338 ext. 3001
P: 603-327-4349
sales@ne.ayrsonics.com

CANADA

Ayrsonics Inc - Ontario

825 Trillium Drive
Kitchener, Ontario N2R 1J9
P: 1-844-441-1122
sales@ayrsonics.com

Ayrsonics Inc - Alberta

#9112 – 52nd St. S.E.
Calgary, Alberta T2C 5A9
P: 1-844-441-1122
sales@ayrsonics.com

EzoBord Corporate Office

6845 Rexwood Road,
Unit 7 Mississauga,
ON L4V 1S5 Canada
+1 416 665 3571
info@ezobord.com

CENTRAL & LATIN AMERICA

EzoBord Costa Rica SRL

100 Sur 25 Oeste Recope
Bodega #18 Ochomogo, Cartago
+506 8842 4613
info-latam@ezobord.com

EzoBord - LATAM

Buenos Aires, Argentina
+54 9 11 5657 1793
info-latam@ezobord.com

UNITED KINGDOM

EzoBord UK Ltd

Unit 20 Westwood Business Park
Margate, Kent. CT9 4JJ
+44 1843 264027
sales@ezobord.co.uk

IRELAND

EzoBord Ireland

Unit 523, Greenogue Business Park
Rathcoole, Co. Dublin D24 RY89
+353 (0)1 443 3599
sales@ezobord.ie

FOLLOW US

